

Product: Terminal Block, Plug
Part number: STB2040V-7.62-XX

Description

The STB2040V-7.62-XX is a Vertical Terminal Block Plug with a 7,62 mm pitch. The connector is available in 2 up to 24 poles.



Typical applications

- Wire to Board
- Board to Wire



Features

Mechanical Properties	Description
Connector Type:	Terminal Block
Orientation:	Horizontal
Dimensions:	$((\text{Poles} * 7.62) - 1.8) \times 15.15 \times 18.25 \text{ mm} \pm 0.2$
Operating Temperature Range:	-40°C~+105°C
Torque:	0.4 Nm (3.54 Lb.in)
Pitch:	7.62 mm
Stripping length:	7 ~ 8 mm
Housing:	PA66, UL94V-0
Screw:	Steel, Zn plated
Contact:	Copper Alloy, Ni plated
Cage:	Copper Alloy, Ni plated

Product: Terminal Block, Plug
 Part number: STB2040V-7.62-XX

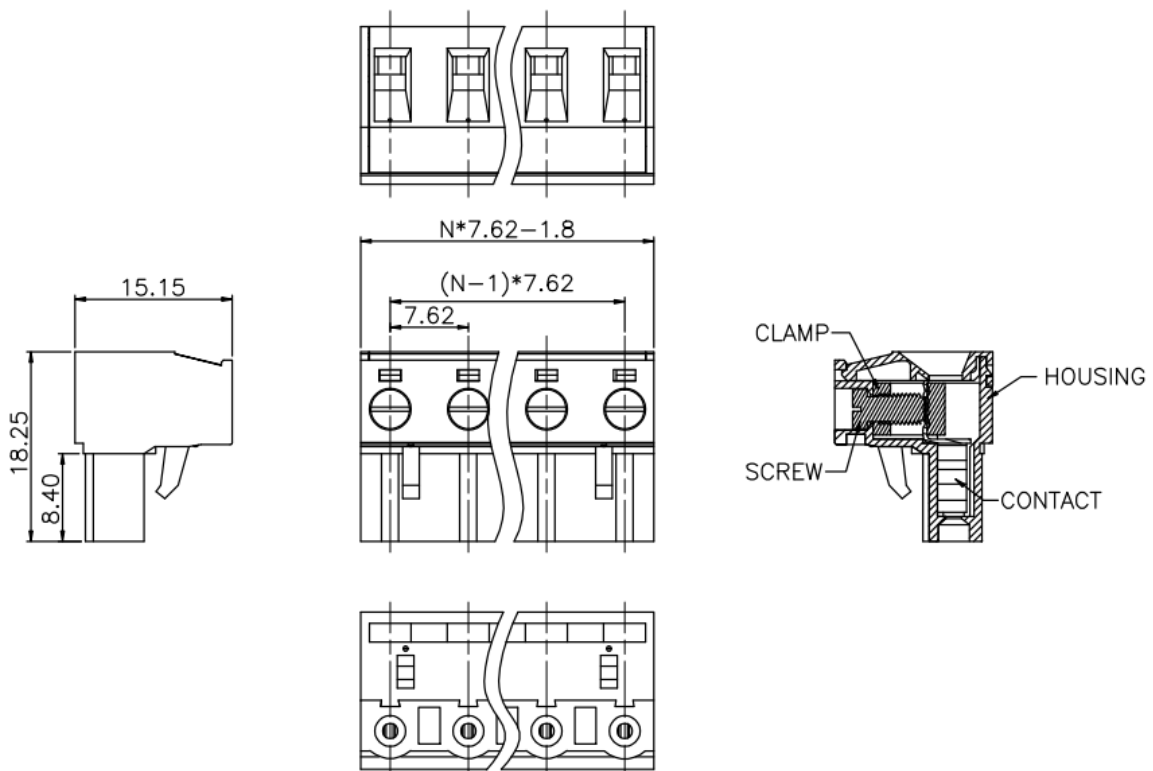
Electrical Properties

Description

Standard:	UL	IEC
Rated Voltage:	300V	400V
Rated Current:	15A	20A
Withstanding Voltage	AC 1600V / 1Min.	
Wire Range:	12 – 28 AWG, 2.5mm²	

Dimensions

*unit: mm, N= number of poles



Product: Terminal Block, Plug
 Part number: STB2040V-7.62-XX

Pole	2	3	4	5	6	7	8	9	10	11	12	13
Length	13,4	21,1	28,7	36,3	43,9	51,5	59,2	66,8	74,4	82	89,6	97,3
Pitch	7,6	15,2	22,9	30,5	38,1	45,7	53,3	61	68,6	76,2	83,8	91,4

Pole	14	15	16	17	18	19	20	21	22	23	24
Length	104,9	112,5	120,1	127,7	135,4	143	150,6	158,2	165,8	173,5	181,1
Pitch	99,1	106,7	114,3	121,9	129,5	137,2	144,8	152,4	160	167,6	175,3

Part number

STB2040X-XXX-XX

STB2040	Style of connector
V	Vertical
7,62	Pitch
XX	Poles
	2,3,4,5,6,7,8, 9,10, 11,12, 13,14,15,16,17,18,19,20, 21,22,23,24

Ordering information

Ordering can be done via www.summit-electronics.com or via info@summit-electronics.com. Please contact us for more information. Customisation of the product is available on request.

Technical support

For all product questions please contact us via info@summit-electronics.com

Document revision

Rev	Date	Changes
V01.00	06-04-2023	First issue of document